

IB-30 0.75 GPH

50B-2 0.75 GPH

32B-2 0.75 GPH

30RB 0.65 GPH

WITH ONE OIL FIRED WATER HEATER MODEL:

MBP-U 0.65 to 0.85 GPH

MBP-F 0.65 to 1.00 GPH	FBR-1 0.65 to 1.00 GPH
MBP-2 1.10 and 1.25 GPH	LO-2M 1.10 and 1.25 GPH
CCC 0.50 to 0.85 GPH	LO-1M3M 0.65 to 0.85 GPH
MBP 0.65 to 1.00 GPH	LO-1MQH 0.65 to 1.00 GPH

THE COMBINATION OF ONE OIL FURNACE MODEL:

VENTER SWVB-1M(B) AND SWVB-2M(B) CONTROL DB-1

ON THE SAME VENTER

FOR MORE THAN ONE UNIT

INSTALLATION INSTRUCTIONS

INSTRUCTIONS

Read the instructions for the heating units and also for the sidewall venter before installing and/or operating the units.

It is possible to connect two heating units to a single sidewall venter if the following conditions are respected.

1. Both heating units must be approved for use with the same sidewall venter.
2. Both heating units must be located in the same room.

3. The connecting pipe of each heating unit must be 5" in diameter (for units which require a draft of -0.02" water column).

4. The connecting pipe of each heating unit must be 6" in diameter (for units which require a draft of -0.04" water column).

5. The draft controls must be used.

6. In operation, it must be possible for the sidewall venter to maintain (one at a time) the required draft for each unit.

7. The temperature at the inlet to the side wall venter must be at least 200°F (93°C) while either of the two units is operating.

8. The furnace should be connected directly to the side wall venter, while the water heater should be connected on the "Y" branch.

9. The electrical connections to both heating units and the power venter must be from the same source and must pass through the power venter control box.

10. The electrical control box for connection with one power venter and two heating units should be our part DB-1.

CONNECTION OF TWO HEATING UNITS REQUIRING A DRAFT OF -0.02" W.C.

1. SWVB-1M side wall venter
2. Control box #DB-1
3. Power supply 120 V / 15 A
4. 1/4" tube
5. Thermostat
6. Wire 14 gage, 60°C
7. Back draft damper
- 7A. Reducer 6" to 3"
8. Reducer 6" to 5"
- 9.1 Y branch 5" X 5" X 5"
10. Smoke pipe 5"
11. Draft regulator
12. Draft -0.02" water column
13. Reducer 6" to 5"

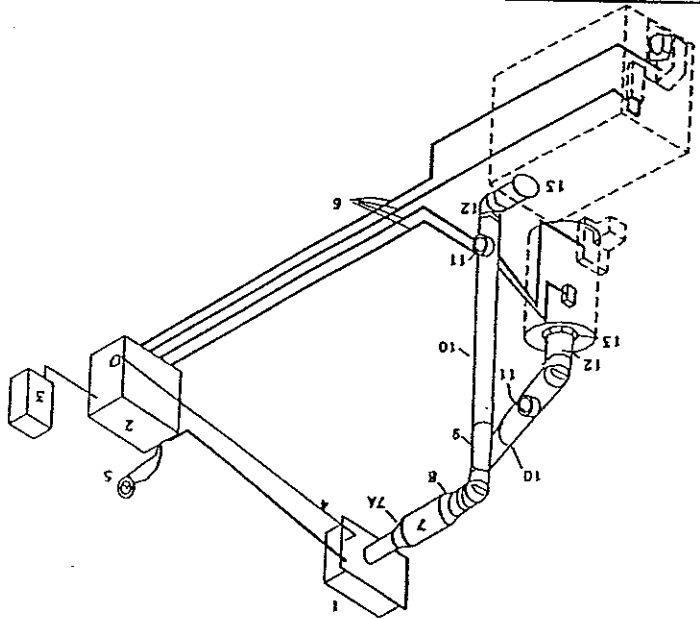


Figure 1 Installation using a Y-branch in the vertical position.

The connecting smoke pipe must be supported every 6 feet.
 All vertical joints should be sealed.
 Use three sheet metal screws to reinforce all joints.
 The connecting smoke pipe must not pass through an unheated area.
 The connectors shipped with the SWV should be installed.
 For equivalent lengths, please consult the instruction book for the SWV.



1. SWVB-1M side wall venter
2. Control box #DB-1
3. Power supply 120 V / 15 A
4. 1/4" tube
5. Thermostat
6. Wire 14 gage, 60°C
7. Back draft damper
- 7A. Reducer 6" to 3"
8. Reducer 6" to 5"
- 9.1 Y branch 5" X 5" X 5"
10. Smoke pipe 5"
11. Draft regulator
12. Draft -0.02" water column
13. Reducer 6" to 5"

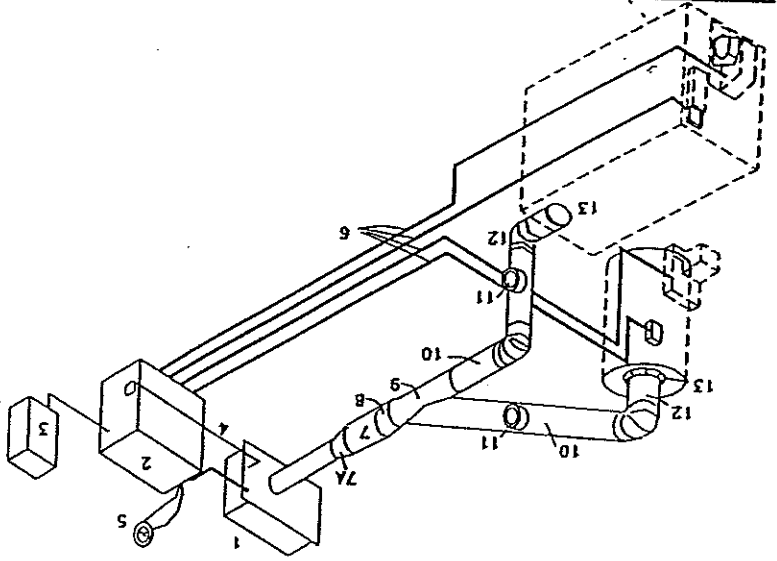


Figure 2 Installation using a Y-branch in the horizontal position.

CONNECTION OF TWO HEATING UNITS, ONE REQUIRING A DRAFT OF -0.02" W.C. AND THE OTHER REQUIRING A DRAFT OF -0.04" W.C.

1. SWVB-2M side wall venter
2. Control box #DB-1
3. Power supply 120 V / 15 A
4. 1/4" tube
5. Thermostat
6. Wire 14 gage, 60°C
7. Back draft damper
- 7A. Reducer 6" to 3"
8. Y branch 6" X 6" X 5"
9. Smoke pipe 6"
10. Smoke pipe 5"
11. Draft regulator
12. Draft -0.04" water column
13. Draft -0.02" water column
14. Reducer 6" to 5"

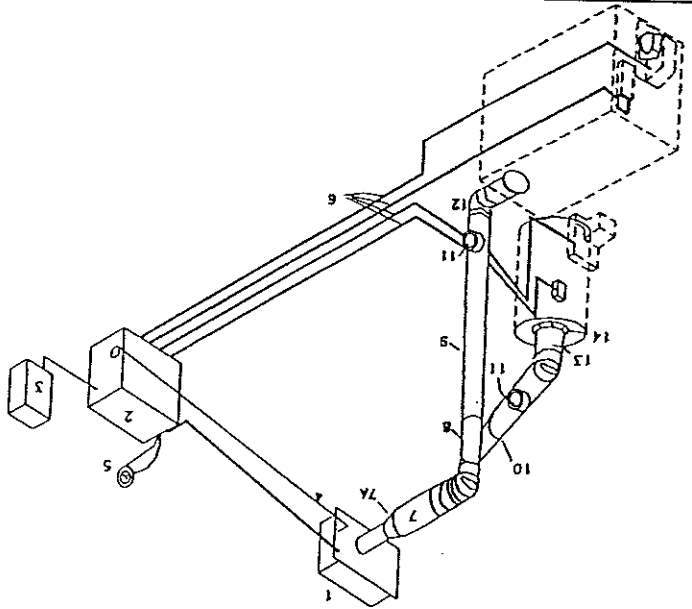


Figure 3 Installation using a Y-branch in the vertical position.

The connecting smoke pipe must be supported every 6 feet.
 All vertical joints should be sealed.
 Use three sheet metal screws to reinforce all joints.
 The connecting smoke pipe must not pass through an unheated area.
 The connectors shipped with the SWV should be installed.
 For equivalent lengths, please consult the instruction book for the SWV.



1. SWVB-2M side wall venter
2. Control box #DB-1
3. Power supply 120 V / 15 A
4. 1/4" tube
5. Thermostat
6. Wire 14 gage, 60°C
7. Back draft damper
- 7A. Reducer 6" to 3"
8. Y branch 6" X 6" X 5"
9. Smoke pipe 6"
10. Smoke pipe 5"
11. Draft regulator
12. Draft -0.04" water column
13. Draft -0.02" water column
14. Reducer 6" to 5"

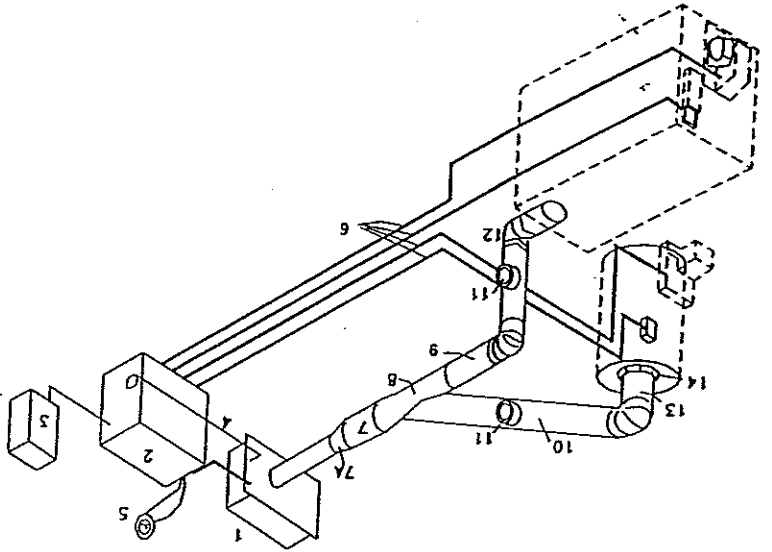


Figure 4 Installation using a Y-branch in the horizontal position.

WIRING INSTRUCTIONS

ATTENTION/DANGER : DISCONNECT THE POWER SUPPLY TO ALL OF THE HEATING APPLIANCES BEFORE BEGINNING THE WIRING INSTALLATION.

Do the electrical installation of the SWV according to CSA Code #C22.1 and/or all local regulations. The installation must be done according to the wiring diagram provided by us.

The electrical power line for the SWV must come directly from the distribution panel of the fuse box. The unit must be grounded and you must also avoid that the electrical wiring touch any hot surface. Use only cables of class I type for the electrical circuit to the SWV and between the SWV and the heating units.

COMPONENT PARTS OF CONTROL BOX #DB-1

- a) Junction box with air pressure switch
- b) Post-purge timer
- c) Isolation relay
- d) Low voltage transformer

INSTALLATION OF CONTROL BOX

The control box can be installed on the wall near the SWV or on the heating equipment. The pressure switch mounted on the control box must be kept in a vertical position and not in a horizontal position.

Attach the box using the four holes provided and remove a metal knock-out from the top of the box. Install the wiring cable through this knock-out.

Remove the metal knock-out from the right side of the box and connect the cable for the SWV.

Install two conductor wires and one mechanical ground wire through a knock-out in the bottom of the box to be connected to the aquastat of the water-heater.

Install two conductor wires through a knock-out in the bottom of the box for the relay of the water-heater burner. Install two conductor wires and one mechanical ground wire through a knock-out in the bottom of the box to be connected to the warm-air furnace.

Install two conductor wires through a knock-out in the bottom of the box to be connected to the relay of the furnace burner.

Connect the thermostat wire of the furnace directly to the control box. Install a jumper on the terminals TT of the oil burner relay of the furnace and also one on the oil burner relay of the water-heater.

Please refer to the wiring diagram to do your wiring connections.

INSTALLATION OF PLASTIC TUBE FROM THE SWV TO THE PRESSURE SWITCH

Connect the 1/2" tube to the metal tube provided with the SWV and connect it to the pressure switch mounted on the side of the control box. Be careful not to kink the tube. For the start up of the units and their final adjustments, please follow the instructions supplied with each heating unit.

ATTENTION/DANGER : THE PRESSURE SWITCH IS FACTORY ADJUSTED AND SHOULD NOT BE TAMPED WITH OR READJUSTED AT ANY TIME.

CONNECTIONS BETWEEN THE CONTROL BOX AND THE OTHER COMPONENTS OF THE SYSTEM

